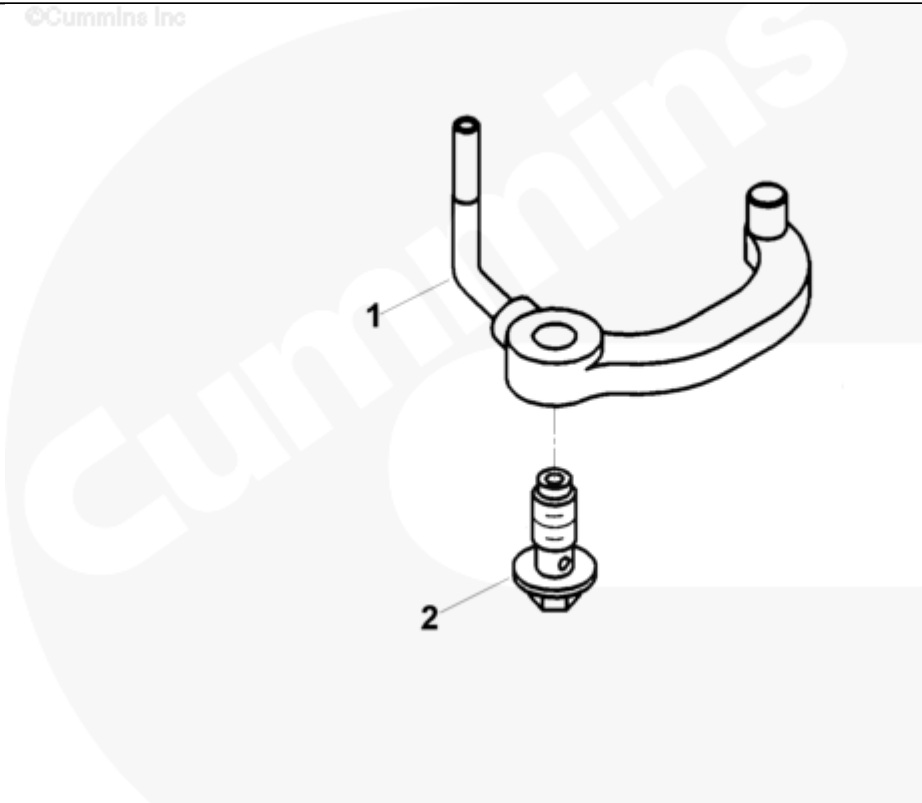




# Parts Catalog - Option Detail

Electronic Parts Catalog - Option Detail				
Option	Group	Graphic	Film Card	Date
PP8545-01	01.01.2	pn200gf	II	21-MAR-05
<b>Engines</b>	ISM CM570, ISM CM570/870, ISM CM875, ISM CM876, ISM CM876 E, ISM11 CM876 M103, ISM11 CM876 SN, M11 CELECT, M11 CELECT PLUS, M11 MECHANICAL, QSM11 CM570, QSM11 CM876			

©Cummins Inc



pn200gf

SMALL | MEDIUM | LARGE

Cart	Ref No	Part Number	Part Description	Required	Remarks
<a href="#">View My Cart</a>					
		PP8545-01	Piston Cooling Nozzle		<a href="#">Piston Cooling Nozzle...(More)</a>
					Certified Model Name: QSM11
					Timing Gear Code: KY
					CPL: 8545
					Certified By: MEP, EPA, CARB,
					EU
					AFC: Yes

					ASA: No
					EFC: No
					ETC: Yes
					Manifold Type: Dry
					Engine Aspiration:
					Charge Air Cooled
					Engine Control System: DEI
					Application: Nonroad
					ECM Version: CM Series
					Certification Level: STG II,
					Tier 3, Tier 3, STG 3A
					Comment: Formerly EPA, CARB,
					Certified To Tier 3 And
					STIIIA Until The End Of 2010.
					Still Considered EPA, CARB,
					Certified After 2010 If Used
					In A Stationary Emergency
					Application.
					Certified In 2014 To EU STG3A
					For R96 Approvals Only.
<input type="checkbox"/>	1	<a href="#">3080708</a>	Piston Cooling Nozzle	6	
<input type="checkbox"/>	2	<a href="#">3070393</a>	Banjo Connector Screw	6	M10 x 1.50 x 25